

### General Features

Description: LED luminaire

Insulation class: class II

Rated voltage: 220-240 V 50/60 Hz

Protection Grade: IP66

Impact protection: IK09

Surge protection device: integrated 10kV-10kA, Type 3, equipped with LED signaling and thermofusible for disconnection at the end of life; impulse withstand CL II 10kV DM

Power Factor: > 0.90

Ambient temperature Ta: -30°C +50°C

Weight: 8.8 kg

Max exposed surface: 0.17 m<sup>2</sup>

Lateral exposed surface: 0.08 m<sup>2</sup>

Common mode surge protection: 10 kV

Overtoltage protection differential mode: 10 kV

Driver: included

Driver lifetime: >100.000 h @ Ta 25°C (0,2% / 1000h)

Marks and Certifications: ENEC / CE

### Performance Data\*

|                       |          |
|-----------------------|----------|
| Source flux:          | 4390 lm  |
| Source power:         | 21.5 W   |
| Source efficiency:    | 204 lm/W |
| Device flux:          | 3755 lm  |
| Device power:         | 25 W     |
| Appliance efficiency: | 150 lm/W |
| Glare Index Category: | D6       |

### Optical System

|   |
|---|
| Source: LED R1                                    |
| Color Temperature: 4000 K                         |
| Color Rendering Index (CRI): $\geq 70$            |
| Chromatic consistency (SDCM): $\leq 3$            |
| Type of optics: SO-02 Street centered             |
| Optical group life: $>100.000$ h @ Ta 25°C L90B10 |
| Photobiological safety class: EXEMPT GROUP        |
| ULOR: 0%  |
| DLOR: 100%  |
| Light intensity category: G*4                     |
| BUG rating: B2-U0-G0                              |

### Normative References

EN60598-1 / EN60598-2-3 / EN61547 / EN62471, EN55015 / EN61000-3-2 / EN61000-3-3

### Installation and maintenance

|   |
|---|
| Installation: suspension for string $\varnothing 6 \div 12$ mm, inclination horizontal $\pm 15^\circ$ , adjustability $0^\circ \div 360^\circ$ / arcade |
| Wiring: pre-wired product with cable and connector  |
| $\varnothing$ power cable: $10 \div 14$ mm  |
| Cable Gland: PG16   |
| Replaceable wiring plate: removable plate   |
| Replaceable optical unit: each LED module is replaceable  |
| Screen opening: opening by clip, fall block   |
| Power supply compartment: independent from the optical system   |

### Flow adjustment

On request

|   |   |
|---|---|
| Virtual Midnight Teaching                 | X |
| Arrangement for Zhaga connector (Book 18) | X |
| Constant flow output (CLO)                | X |
| Adjusting 1-10V                           | X |
| DALI control                              | X |
| Mains voltage variation                   | X |
| Power line telemanagement (PLC)           | X |
| Wireless remote management                | X |
| Provision for motion/light sensors        | X |

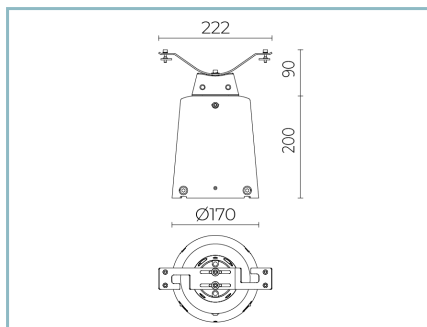
### Materials

|  |
|--|
| Body: die-cast aluminium alloy UNI EN AB 47100 (copper content $< 1\%$ )                                     |
| Screen: tempered flat glass  |
| Lenses: high-transparency PMMA   |
| Fixing system: die-cast aluminium alloy UNI EN AB 47100 (copper content $< 1\%$ )                            |
| Seals: expanded anti-age silicone foam   |
| Screws: stainless steel AISI 304   |
| Wiring plate: zinc-plated steel  |
| Finish: phospho-chromatation treated and polyester powder-coated in 16 phases to increase weather resistance |

### Colors

|                 |                               |
|-----------------|-------------------------------|
| ■ White RAL9003 | Code: <b>01TH1B248026DHM4</b> |
|-----------------|-------------------------------|

## Complements



01TH901C0

C2 Suspension for string  
Ø 6 ÷ 12 mm. Colour: Sablè 100 Noir.

## NOTES

### \*Performance data

The values indicated in this data sheet are nominal values with a tolerance of +/-7%.

Source flux and source efficiency data refer to the LED module without optics; in case you are interested in the performance of the LED module complete with optical system, you must multiply the data reported by the factor 0.9.

### General Data

The characteristics of the product listed may be subject to change and must be confirmed when ordering.

In order to promote constant updating of its products, Cariboni Group reserves the right to make changes without prior notice.