



### General Features

Description: LED fitting for lighting façades, paths and urban spaces

Insulation class: class II

Rated voltage: 220-240 V 50/60 Hz

Protection Grade: IP66

Impact protection: IK09

Power Factor: > 0.9

Ambient temperature Ta: -25° C + 50° C

Weight: 10.5 kg

Max exposed surface: 0.222 m<sup>2</sup>

Lateral exposed surface: 0.082 m<sup>2</sup>

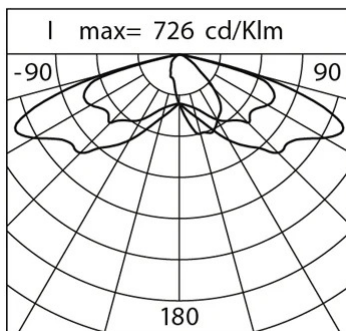
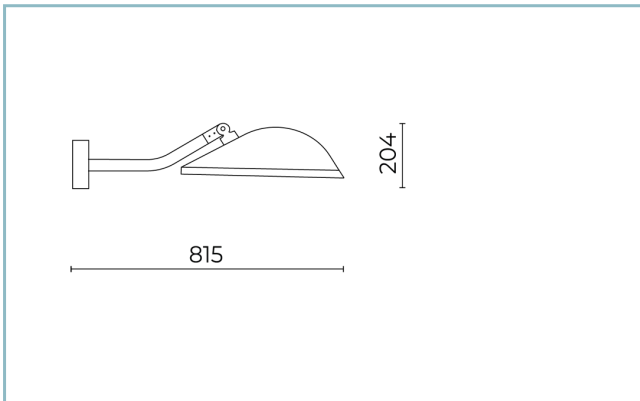
Common mode surge protection: 10 kV

Overvoltage protection differential mode: 10 kV

Driver: included

Driver lifetime: > 100.000 h @Ta 25° C

Marks and Certifications: CE / ENEC pending



### Performance Data\*

|                       |          |
|-----------------------|----------|
| Source flux:          | 16970 lm |
| Source power:         | 98 W     |
| Source efficiency:    | 173 lm/W |
| Device flux:          | 14240 lm |
| Device power:         | 105 W    |
| Appliance efficiency: | 136 lm/W |
| Glare Index Category: | D3       |

### Optical System

|   |
|---|
| Source: LED R4  |
| Color Temperature: 3000 K                                       |
| Color Rendering Index (CRI): $\geq 80$                          |
| Chromatic consistency (SDCM): $\leq 3$                          |
| Type of optics: ST-02 Narrow street                             |
| Optical group life: $> 100.000$ h @ 720mA @Ta 25° C TM21 L90B10 |
| Photobiological safety class: EXEMPT GROUP                      |
| ULOR: 0%  |
| DLOR: 100%  |
| Light intensity category: G*3                                   |
| BUG rating: B2-U0-G2  |

### Normative References

EN60598-1 / EN60598-2-3 / IEC / TR62778 / EN62471 / EN61547

### Installation and maintenance

|  |
|--|
| Installation: wall   |
| Tilt: $0^\circ \div 90^\circ$                                |
| $\varnothing$ power cable: $6 \div 11$ mm                    |
| Cable Gland: PG13,5  |
| Power supply compartment: independent from the optical group |

### Flow adjustment

Standard On request

|   |   |
|---|---|
| Virtual Midnight Teaching                 | X |
| Arrangement for Zhaga connector (Book 18) | X |
| DALI control                              | X |

### Materials

|  |
|--|
| Body: die-cast aluminium alloy UNI EN AB 47100 (copper content $< 1\%$ )                                     |
| Screen: tempered flat glass  |
| Lenses: high-transparency PMMA   |
| Fixing system: die-cast aluminium alloy UNI EN AB 47100 (copper content $< 1\%$ )                            |
| Seals: anti-age silicone foam  |
| Screws: stainless steel AISI 304   |
| Wiring plate: zinc-plated steel  |
| Finish: phospho-chromatation treated and polyester powder-coated in 16 phases to increase weather resistance |

### Colors

|   |                                |
|---|--------------------------------|
|  Champagne | Code: <b>06SP2CE854914G6HL</b> |
|---|--------------------------------|

---

**NOTES**

**\*Performance data**

The values indicated in this data sheet are nominal values with a tolerance of +/-7%.

Source flux and source efficiency data refer to the LED module without optics; in case you are interested in the performance of the LED module complete with optical system, you must multiply the data reported by the factor 0.9.

**General Data**

The characteristics of the product listed may be subject to change and must be confirmed when ordering.

In order to promote constant updating of its products, Cariboni Group reserves the right to make changes without prior notice.