



General Features

Description: LED bollard

Insulation class: class II

Rated voltage: 220-240 V 50/60 Hz

Protection Grade: IP66

Impact protection: IK09

Power Factor: > 0.9

Ambient temperature Ta: -20°C +50°C

Weight: 4 kg

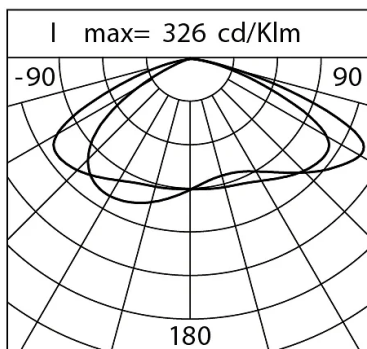
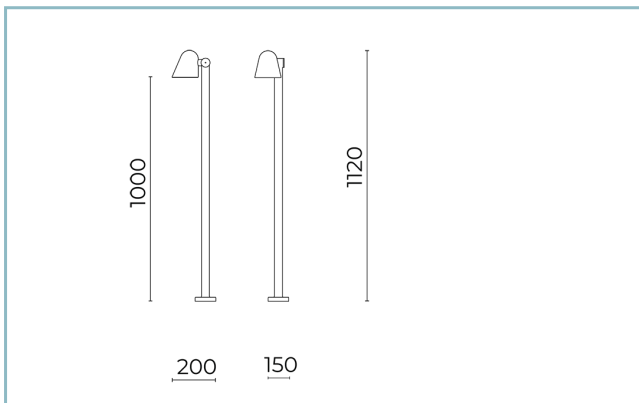
Max exposed surface: 0.019 m²

Lateral exposed surface: 0.050 m²

Driver: included

Driver lifetime: 50.000 h @ 350mA @ Ta 25° C

Marks and Certifications: CE



Performance Data*

LED Current:	350 mA
Source flux:	1080 lm
Source power:	8.5 W
Source efficiency:	127 lm/W
Device flux:	800 lm
Device power:	10 W
Appliance efficiency:	80 lm/W
Glare Index Category:	D6

Product Sheet

06/06/2024

Spoon Bollard

Size: H 1000

Options: ON-OFF

Color Temperature: 3000 K

Type of optics: AS-D Asymmetric diffused beam

06SN1A1359C8G6

Colour: Champagne

Optical System

Source: LED L1

Color Temperature: 3000 K

Color Rendering Index (CRI): ≥ 80 Chromatic consistency (SDCM): ≤ 3

Type of optics: AS-D Asymmetric diffused beam

Optical group life: > 100.000 h @ 350mA @ Ta 25° C TM21 L80B10

Photobiological safety class: EXEMPT GROUP

ULOR: 0%

DLOR: 100%

Light intensity category: G*6

BUG rating: B0-U0-G1

Normative References

EN60598-1 / EN60598-2-3 / IEC / TR62778 / EN62471 / EN61547

Installation and maintenance

Installation: ground

Tilt: $0^\circ \div 180^\circ$, rotation $\pm 30^\circ$ \varnothing power cable: 3,5 \div 7 mm

Cable Gland: M12x1,5

Power supply compartment: independent from the optical group

MaterialsBody: die-cast aluminium alloy UNI EN AB 47100 (copper content $< 1\%$)

Screen: tempered flat glass

Lenses: highly transparent technopolymer lenses


Fixing system: die-cast aluminium alloy UNI EN AB 47100 (copper content $< 1\%$)

Seals: expanded anti-age silicone foam

Screws: stainless steel AISI 304

Wiring plate: zinc-plated steel

Finish: phospho-chromatation treated and polyester powder-coated in 16 phases to increase weather resistance

Colors ChampagneCode: **06SN1A1359C8G6**

Product Sheet

06/06/2024

Spoon Bollard

Size: H 1000

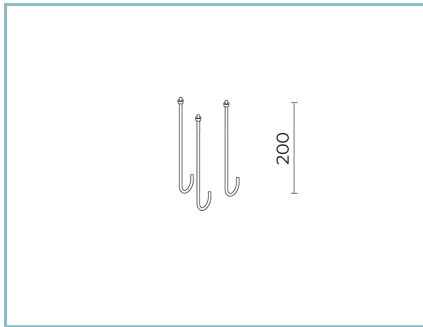
Options: ON-OFF

Color Temperature: 3000 K

Type of optics: AS-D Asymmetric diffused beam

06SN1A1359C8G6Colour: Champagne

Complements



06PY999X0

Anchoring bolts kit

L=200 mm.

NOTES***Performance data**

The values indicated in this data sheet are nominal values with a tolerance of +/-7%.

Source flux and source efficiency data refer to the LED module without optics; in case you are interested in the performance of the LED module complete with optical system, you must multiply the data reported by the factor 0.9.

General Data

The characteristics of the product listed may be subject to change and must be confirmed when ordering.

In order to promote constant updating of its products, Cariboni Group reserves the right to make changes without prior notice.