



General Features

Description: Wall-mounted mono and bi-emission product

Insulation class: class I

Rated voltage: 230 V 50 Hz

Protection Grade: IP65

Impact protection: IK05

Power Factor: > 0.90

Ambient temperature Ta: -30°C +50°C

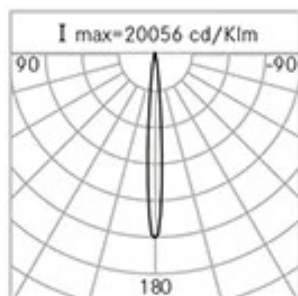
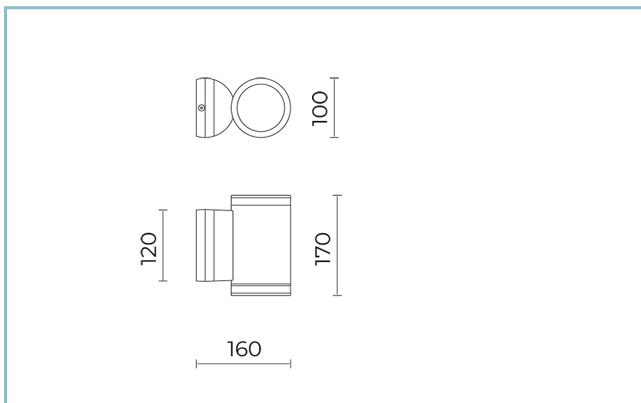
Weight: 2.00 kg

Max exposed surface: 0,058 m²

Lateral exposed surface: 0,035 m²

Driver: included

Marks and Certifications: CE



H (m)	Ø (m)	Em(lux)
1	0,19	5448
2	0,37	1362
3	0,56	605
4	0,74	340
5	0,93	218

Performance Data*

LED Current:	500 mA
Source flux:	695 lm
Source power:	6 W
Source efficiency:	116 lm/W
Device flux:	500 lm
Device power:	7 W
Appliance efficiency:	71 lm/W

Optical System

Source: 4 LEDs

Color Temperature: 4000 K

Color Rendering Index (CRI): ≥ 80

Chromatic consistency (SDCM): ≤ 3

Type of optics: C 8° Narrow beam

Optical group life: $>60.000\text{h}$ @Ta25°C L80B10

Normative References

EN60598-1 / EN60598-2-1 / EN62471

Installation and maintenance

Installation: wall-mounted

Fixing: With a die-cast aluminium shelf

Ø power cable: 7 ÷ 11 mm

Cable gland: PG11

Materials

Body: extruded aluminium alloy UNI 9006/T6

Screen: tempered flat glass

Lenses: high-transparency PMMA

Seals: extruded anti-age silicone

Screws: stainless steel AISI 304

Finish: phospho-chromatation treated and polyester powder-coated in 16 phases to increase weather resistance

Colors

■ Grey RAL9006

Code: **06OT2A4404A**

Product Sheet

Rev. 16/07/2024

One4two Wall-Mounted

Size: small

Color Temperature: 4000 K

Type of optics: C 8° Narrow beam

06OT2A4404AColour: Grey RAL9006

NOTES***Performance data**

The values indicated in this data sheet are nominal values with a tolerance of +/-7%.

Source flux and source efficiency data refer to the LED module without optics; in case you are interested in the performance of the LED module complete with optical system, you must multiply the data reported by the factor 0.9.

General Data

The characteristics of the product listed may be subject to change and must be confirmed when ordering.

In order to promote constant updating of its products, Cariboni Group reserves the right to make changes without prior notice.