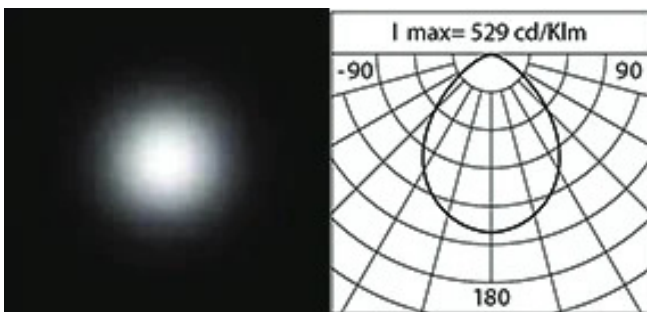
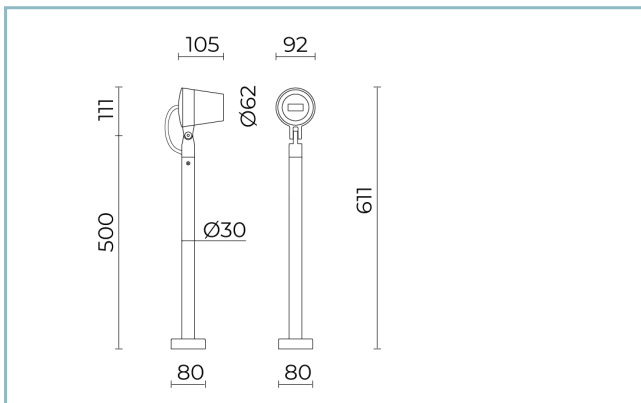




### General Features

Description:	LED floodlight
Insulation class:	class III
Rated voltage:	24Vdc
Protection Grade:	IP66
Impact protection:	IK07
Power Factor:	> 0.9
Ambient temperature Ta:	-30°C +50°C
Weight:	1.5 kg
Max exposed surface:	0,011 m <sup>2</sup>
Lateral exposed surface:	0,006 m <sup>2</sup>
Driver:	remote (to be ordered separately)
Marks and Certifications:	CE



### Performance Data\*

Source flux:	575 lm
Source power:	6.2 W
Source efficiency:	93 lm/W
Device flux:	205 lm
Device power:	6.2 W
Appliance efficiency:	33 lm/W
Glare Index Category:	D6

### Optical System

Source: LED

Color Temperature: 2700 K

Color Rendering Index (CRI):  $\geq 80$

Chromatic consistency (SDCM):  $\leq 3$

Type of optics: U-D 90° Diffused beam

Optical group life: >100.000h @Ta25°C L80B10

Photobiological safety class: EXEMPT GROUP

### Normative References

EN60598-1 / EN60598-2-5 / EN62471 / EN61547

### Installation and maintenance

Installation: ground

Pole diameter:  $\varnothing$  30mm

Tilt: -90° +45°, continously-adjustable pointing and locking system

Fixing: base plate made of sheet steel for fixing with screw anchors or anchoring bolts (to be ordered separately).

Bollard made of aluminium alloy EN AW 6026.

Wiring: pre-wired product, cable L=1,5m

Cable Gland: M12x1,5

### Flow adjustment

Standard

DALI control

X

### Materials

Body: die-cast aluminium alloy UNI EN AB 47100 (copper content < 1%)

Screen: acid-etched glass

Lenses: high-transparency PMMA

Seals: expanded anti-age silicone foam

Screws: stainless steel AISI 304

Finish: phospho-chromatation treated and polyester powder-coated in 16 phases to increase weather resistance

### Colors

■ Grey RAL9006

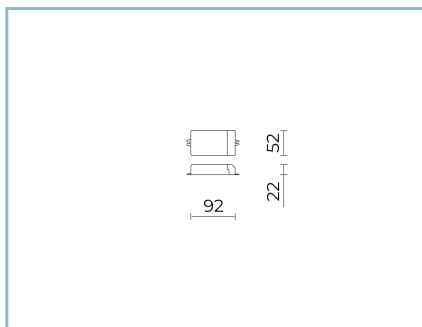
Code: **06OM5A138C4AV**

## Complements



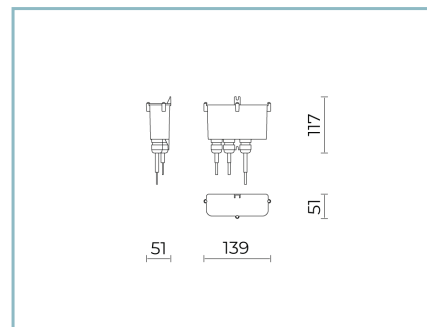
06GC902X0

B165 2-pole connector IP68



06OM902X0

D6 DALI DRIVER  
20W 24V IP20 MAX 2 OMIKRON MINI



06OM903X0

D7 KIT DALI DRIVER  
20W 24V IP67 MAX 2 OMIKRON MINI

## NOTES

### \*Performance data

The values indicated in this data sheet are nominal values with a tolerance of +/-7%.

Source flux and source efficiency data refer to the LED module without optics; in case you are interested in the performance of the LED module complete with optical system, you must multiply the data reported by the factor 0.9.

### General Data

The characteristics of the product listed may be subject to change and must be confirmed when ordering.

In order to promote constant updating of its products, Cariboni Group reserves the right to make changes without prior notice.