



### General Features

Description: LED floodlight

Insulation class: class II

Rated voltage: 220-240 V 50/60 Hz

Protection Grade: IP66

Impact protection: IK10

Power Factor: > 0.9

Ambient temperature Ta: -30°C +50°C

Weight: 4.00 kg

Max exposed surface: 0,06 m<sup>2</sup>

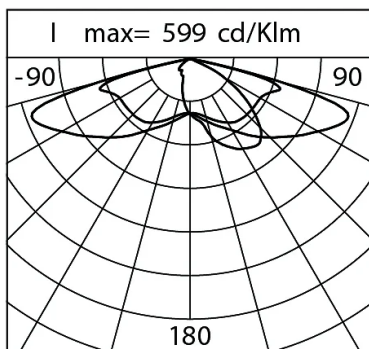
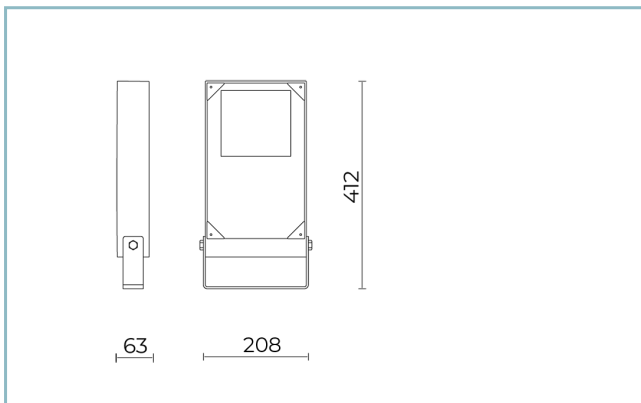
Lateral exposed surface: 0,02 m<sup>2</sup>

Common mode surge protection: 10 kV

Overvoltage protection differential mode: 6 kV

Driver: included

Marks and Certifications: CE



### Performance Data\*

LED Current:	350 mA
Source flux:	3105 lm
Source power:	16 W
Source efficiency:	194 lm/W
Device flux:	2455 lm
Device power:	18.5 W
Appliance efficiency:	133 lm/W
Glare Index Category:	D6

### Optical System

Source: LED L1

Color Temperature: 4000 K

Color Rendering Index (CRI):  $\geq 70$

Chromatic consistency (SDCM):  $\leq 3$

Type of optics: LA-02 Wide street

Optical group life: >100.000h @700mA @Ta25°C TM21  
L80B10

Photobiological safety class: EXEMPT GROUP

ULOR: 0%

DLOR: 100%

Light intensity category: G\*3

BUG rating: B1-U0-G0

### Normative References

EN60598-1 / EN60598-2-3 / EN60598-2-5 / EN62471 /  
EN61547

### Installation and maintenance

Installation: wall / ground

Tilt: fastened or adjustable installation

Fixing: steel bracket

Wiring: pre-wired product

Ø power cable: 10 ÷ 14 mm

Cable Gland: PG16

### Flow adjustment

On request

Virtual Midnight Teaching

X

Constant flow output (CLO)

X

### Materials

Body: die-cast aluminium alloy UNI EN AB 47100 (copper  
content < 1%)

Screen: tempered flat glass

Lenses: high-transparency PMMA

Fixing system: die-cast aluminium alloy UNI EN AB 47100  
(copper content < 1%)

Seals: anti-age silicone

Screws: stainless steel AISI 304

Wiring plate: zinc-plated steel

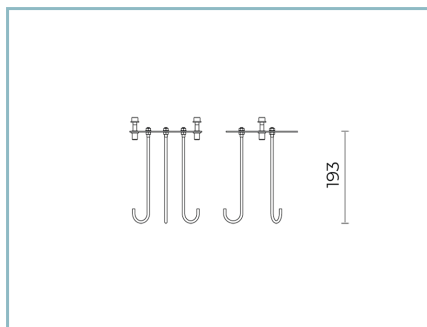
Finish: phospho-chromatation treated and polyester  
powder-coated in 16 phases to increase weather resistance

### Colors

■ Sablé 100 Noir

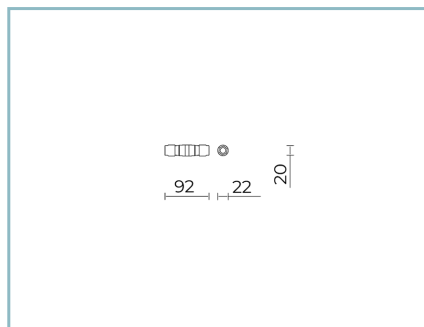
Code: **06LT2A430A1CHM4**

## Complements



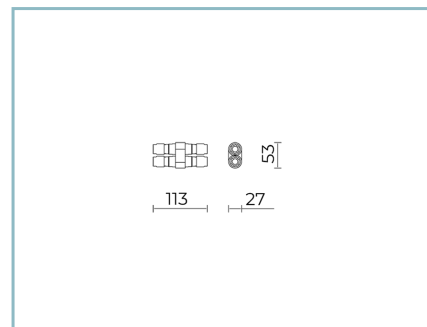
06LT909J0

B118 Anchor for concrete  
L=200 mm.



06KS918C0

B137 2 - way connector IP68



06KS909C0

B89 Connector 4 way IP68

## NOTES

### \*Performance data

The values indicated in this data sheet are nominal values with a tolerance of +/-7%.

Source flux and source efficiency data refer to the LED module without optics; in case you are interested in the performance of the LED module complete with optical system, you must multiply the data reported by the factor 0.9.

### General Data

The characteristics of the product listed may be subject to change and must be confirmed when ordering.

In order to promote constant updating of its products, Cariboni Group reserves the right to make changes without prior notice.