



General Features

Description: LED fitting for lighting paths and urban spaces

Insulation class: class II

Rated voltage: 220-240 V 50/60 Hz

Protection Grade: IP66

Impact protection: IK09

Surge protection device: integrated 10kV-10kA

Power Factor: > 0.95

Ambient temperature Ta: -30°C +50°C

Weight: 6 kg

Max exposed surface: 0.119 m²

Lateral exposed surface: 0.026 m²

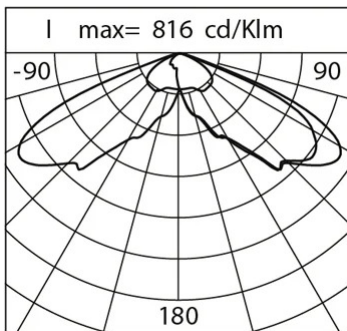
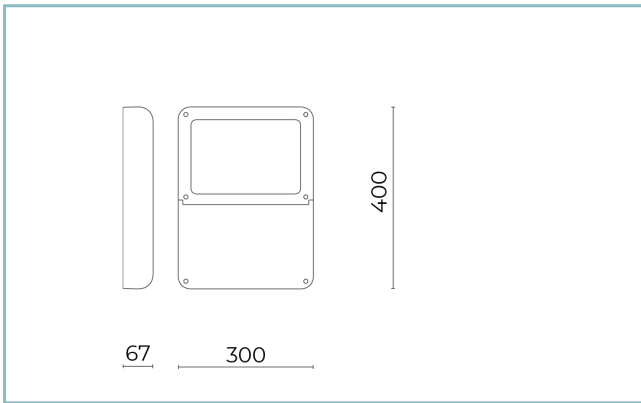
Common mode surge protection: 10 kV

Overvoltage protection differential mode: 10 kV

Driver: included

Driver lifetime: F10 >100.000h @Ta25°C

Marks and Certifications: ENEC / ENEC+ / CE



Performance Data*	LT-63_1800K	LT-63_2200K	LT-63_2700K	LT-63_3000K	LT-63_4000K
LED Current:	700 mA	700 mA	700 mA	700 mA	700 mA
Source flux:	6290 lm	7395 lm	7985 lm	8135 lm	8650 lm
Source power:	50.5 W	50.5 W	50.5 W	50.5 W	50.5 W
Source efficiency:	125 lm/W	146 lm/W	158 lm/W	161 lm/W	171 lm/W
Device flux:	5280 lm	6210 lm	6705 lm	6830 lm	7265 lm
Device power:	55.5 W	55.5 W	55.5 W	55.5 W	55.5 W
Appliance efficiency:	95 lm/W	112 lm/W	121 lm/W	123 lm/W	131 lm/W
Glare Index Category:	D5	D5	D5	D4	D4

Optical System

Source: LED R2
Color Temperature: ECL 1800K - 4000 K
Color Rendering Index (CRI): ≥ 70
Chromatic consistency (SDCM): ≤ 3
Type of optics: LT-63 Asymmetric beam ECL
Optical group life: >100.000h @ Ta 25°C L90B10
Photobiological safety class: EXEMPT GROUP
ULOR: 0%
DLOR: 100%
Light intensity category: G*3

Normative References

EN60598-1, EN60598-2-3, EN61547; EN62471, EN55015, EN61000-3-2, EN61000-3-3

Installation and maintenance

Installation: pole side, wall-mounted, post top
Pole diameter: $\varnothing 60 - 76 - 102$ mm
Tilt: (wall-mounted) fixed or adjustable installation; (pole side) with adjustable joint can be tilted from -70° to $+90^\circ$ and rotated by $0^\circ / 180^\circ$. The pointing and locking system is continuously adjustable.
\varnothing power cable: $10 \div 14$ mm
Cable Gland: PG16
Power supply compartment: independent from the optical group

Flow adjustment

On request

Virtual Midnight Teaching	X
Arrangement for Zhaga connector (Book 18)	X
Constant flow output (CLO)	X
Adjusting 1-10V	X
DALI control	X
Mains voltage variation	X
Wireless remote management	X
Provision for motion/light sensors	X

Materials

Body: die-cast aluminium alloy UNI EN AB 47100 (copper content < 1%)
Screen: tempered flat glass 4 mm
Lenses: high-transparency PMMA
Fixing system: die-cast aluminium alloy UNI EN AB 47100 (copper content < 1%)
Seals: anti-age silicone
Screws: stainless steel AISI 304
Finish: phospho-chromatation treated and polyester powder-coated in 16 phases to increase weather resistance

Colors

■ Sablé 100 Noir	Code: 06LN2C470415CDYN
------------------	-------------------------------

Complements



06LN909C0

B233 Suspension kit for \varnothing 6-12 mm string.
Colour: Sablé 100 Noir.

NOTES

*Performance data

The values indicated in this data sheet are nominal values with a tolerance of +/-7%.

Source flux and source efficiency data refer to the LED module without optics; in case you are interested in the performance of the LED module complete with optical system, you must multiply the data reported by the factor 0.9.

General Data

The characteristics of the product listed may be subject to change and must be confirmed when ordering.

In order to promote constant updating of its products, Cariboni Group reserves the right to make changes without prior notice.