



**General Features**

Description: LED fitting for lighting paths and urban spaces

Insulation class: class II

Rated voltage: 220-240 V 50/60 Hz

Protection Grade: IP66

Impact protection: IK09

Surge protection device: integrated 10kV-10kA

Power Factor: > 0.95

Ambient temperature Ta: -30°C +50°C

Weight: 6 kg

Max exposed surface: 0.119 m<sup>2</sup>

Lateral exposed surface: 0.026 m<sup>2</sup>

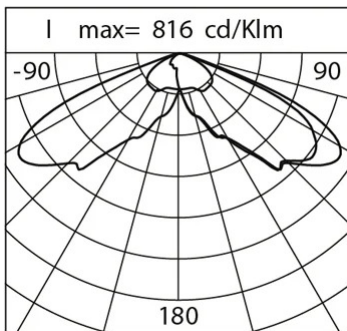
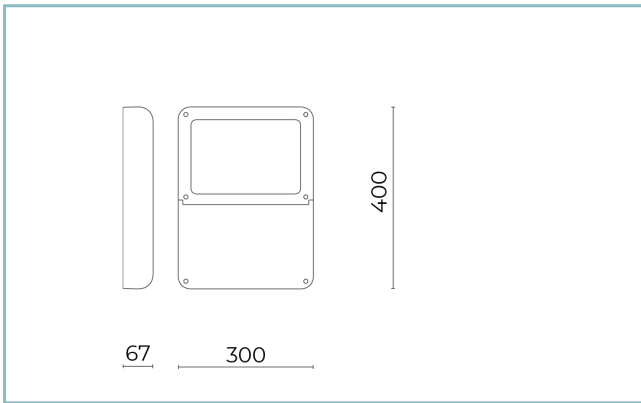
Common mode surge protection: 10 kV

Overvoltage protection differential mode: 10 kV

Driver: included

Driver lifetime: F10 >100.000h @Ta25°C

Marks and Certifications: ENEC / ENEC+ / CE



<b>Performance Data*</b>	LT-63_1800K	LT-63_2200K	LT-63_2700K	LT-63_3000K	LT-63_4000K
LED Current:	400 mA	400 mA	400 mA	400 mA	400 mA
Source flux:	4020 lm	4730 lm	4745 lm	4830 lm	5530 lm
Source power:	28.5 W	28.5 W	28.5 W	28.5 W	28.5 W
Source efficiency:	141 lm/W	166 lm/W	166 lm/W	169 lm/W	194 lm/W
Device flux:	3375 lm	3970 lm	3895 lm	4055 lm	4645 lm
Device power:	33.5 W	33.5 W	33.5 W	33.5 W	33.5 W
Appliance efficiency:	101 lm/W	119 lm/W	116 lm/W	121 lm/W	139 lm/W
Glare Index Category:	D5	D5	D5	D5	D5

### Optical System

Source: LED R2

Color Temperature: ECL 1800K - 4000 K

Color Rendering Index (CRI):  $\geq 70$

Chromatic consistency (SDCM):  $\leq 3$

Type of optics: LT-63 Asymmetric beam ECL

Optical group life: >100.000h @ Ta 25°C L90B10

Photobiological safety class: EXEMPT GROUP

ULOR: 0%

DLOR: 100%

Light intensity category: G\*3

### Normative References

EN60598-1, EN60598-2-3, EN61547; EN62471, EN55015,  
EN61000-3-2, EN61000-3-3

### Installation and maintenance

Installation: pole side, wall-mounted, post top

Pole diameter:  $\varnothing 60 - 76 - 102$  mm

Tilt: (wall-mounted) fixed or adjustable installation; (pole side) with adjustable joint can be tilted from  $-70^\circ$  to  $+90^\circ$  and rotated by  $0^\circ / 180^\circ$ . The pointing and locking system is continuously adjustable.

$\varnothing$  power cable:  $10 \div 14$  mm

Cable Gland: PG16

Power supply compartment: independent from the optical group

### Flow adjustment

On request

Virtual Midnight Teaching

X

Arrangement for Zhaga connector (Book 18)

X

Constant flow output (CLO)

X

Adjusting 1-10V

X

DALI control

X

Mains voltage variation

X

Wireless remote management

X

Provision for motion/light sensors

X

### Materials

Body: die-cast aluminium alloy UNI EN AB 47100 (copper content < 1%)

Screen: tempered flat glass 4 mm

Lenses: high-transparency PMMA

Fixing system: die-cast aluminium alloy UNI EN AB 47100 (copper content < 1%)

Seals: anti-age silicone

Screws: stainless steel AISI 304

Finish: phospho-chromatation treated and polyester powder-coated in 16 phases to increase weather resistance

### Colors

■ Sablé 100 Noir

Code: **06LN2C440415CDYN**

## Complements



06LN909C0

B233 Suspension kit for  $\varnothing$  6-12 mm string.  
Colour: Sablé 100 Noir.

## NOTES

### \*Performance data

The values indicated in this data sheet are nominal values with a tolerance of +/-7%.

Source flux and source efficiency data refer to the LED module without optics; in case you are interested in the performance of the LED module complete with optical system, you must multiply the data reported by the factor 0.9.

### General Data

The characteristics of the product listed may be subject to change and must be confirmed when ordering.

In order to promote constant updating of its products, Cariboni Group reserves the right to make changes without prior notice.