



### General Features

Description: LED luminaire

Insulation class: class II

Rated voltage: 220-240 V 50/60 Hz

Protection Grade: IP66

Impact protection: IK09

Surge protection device: integrated 10kV-10kA, Type 3, equipped with LED signaling and thermofusible for disconnection at the end of life; impulse withstand CL II 10kV DM

Power Factor: > 0.90

Ambient temperature Ta: -30°C +50°C

Weight: 7.50 kg

Max exposed surface: 0,140 m<sup>2</sup>

Lateral exposed surface: 0,063 m<sup>2</sup>

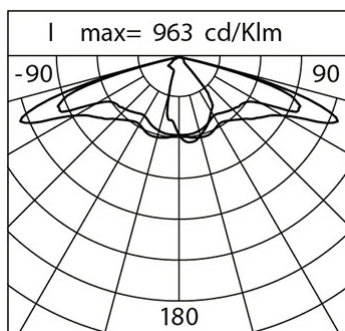
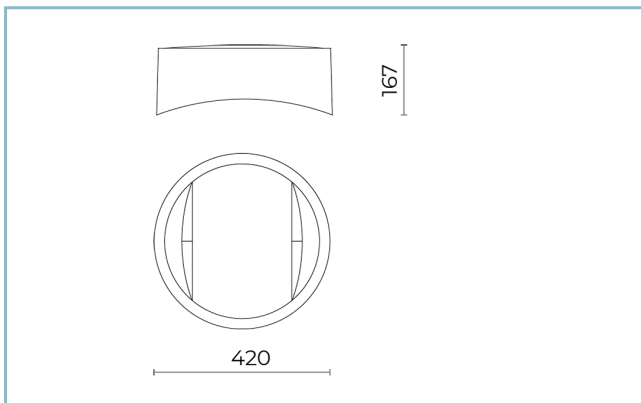
Common mode surge protection: 10 kV

Overvoltage protection differential mode: 10 kV

Driver: included

Driver lifetime: >100.000 h @ Ta 25°C (0,2% / 1000h)

Marks and Certifications: ENEC / CE



### Performance Data\*

|                       |          |
|-----------------------|----------|
| Source flux:          | 4725 lm  |
| Source power:         | 24.5 W   |
| Source efficiency:    | 192 lm/W |
| Device flux:          | 4065 lm  |
| Device power:         | 28 W     |
| Appliance efficiency: | 145 lm/W |
| Glare Index Category: | D5       |

### Optical System

|   |
|---|
| Source: LED R1                                  |
| Color Temperature: 3000 K                       |
| Color Rendering Index (CRI): $\geq 70$          |
| Chromatic consistency (SDCM): $\leq 3$          |
| Type of optics: LT-CI Cycle path                |
| Optical group life: >100.000 h @ Ta 25°C L90B10 |
| Photobiological safety class: EXEMPT GROUP      |
| ULOR: 0%  |
| DLOR: 100%                                      |
| Light intensity category: G*3                   |
| BUG rating: B1-U0-G1                            |

### Normative References

EN60598-1 / EN60598-2-3 / EN62471 / EN61547

### Installation and maintenance

|   |
|---|
| Installation: post top / side pole / arm / wall   |
| Pole diameter: $\varnothing$ 60 - 76 - 102 mm   |
| Tilt: (pole side, wall) continuous / stepped adjustment -10° +190° (step 5°)  |
| Fixing: post top with single arm, made of die-cast aluminium alloy UNI EN AB 47100 (copper content < 1%), polyester powder coated (Sablé 100 Noir); pole $\varnothing$ 76 mm, with post top reduction $\varnothing$ 60 mm H. 90 mm. |
| Wiring: pre-wired product   |
| $\varnothing$ power cable: 10 ÷ 14 mm   |
| Cable Gland: PG16   |
| Replaceable wiring plate: removable plate   |
| Replaceable optical unit: LED disc replacement  |
| Power supply compartment: independent from the optical system   |

### Flow adjustment

On request

|                                 |   |
|---------------------------------|---|
| Virtual Midnight Teaching       | X |
| Constant flow output (CLO)      | X |
| DALI control                    | X |
| Mains voltage variation         | X |
| Power line telemanagement (PLC) | X |
| Wireless remote management      | X |

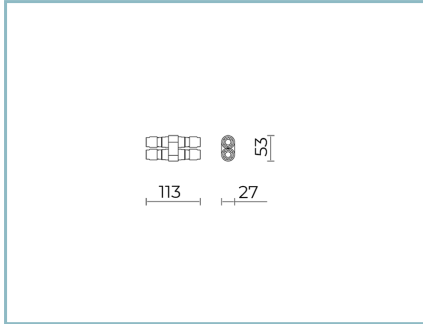
### Materials

|  |
|--|
| Body: die-cast aluminium alloy UNI EN AB 47100 (copper content < 1%)   |
| Screen: tempered flat glass  |
| Lenses: high-transparency PMMA   |
| Fixing system: die-cast aluminium alloy UNI EN AB 47100 (copper content < 1%)                                |
| Seals: expanded anti-age silicone foam   |
| Screws: stainless steel AISI 304   |
| Wiring plate: zinc-plated steel  |
| Finish: phospho-chromatation treated and polyester powder-coated in 16 phases to increase weather resistance |

### Colors

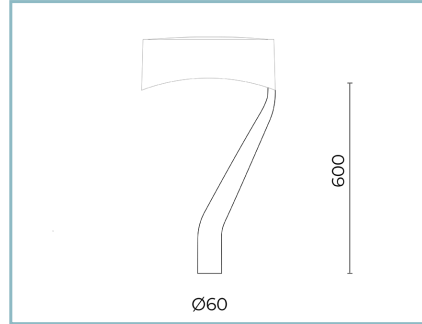
|                  |                               |
|------------------|-------------------------------|
| ■ Sablé 100 Noir | Code: <b>06KS2B254927CHM4</b> |
|------------------|-------------------------------|

## Complements



06KS909C0

B89 Connector 4 way IP68



06KS901C0

B81 Arm for post top  
Ø 60 mm. Fastening part H. Ø 90 mm.  
Colour: Sablé 100 Noir.

## NOTES

### \*Performance data

The values indicated in this data sheet are nominal values with a tolerance of +/-7%.

Source flux and source efficiency data refer to the LED module without optics; in case you are interested in the performance of the LED module complete with optical system, you must multiply the data reported by the factor 0.9.

### General Data

The characteristics of the product listed may be subject to change and must be confirmed when ordering.

In order to promote constant updating of its products, Cariboni Group reserves the right to make changes without prior notice.