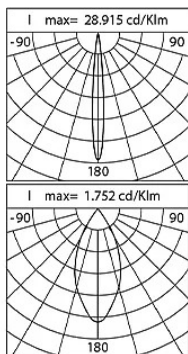
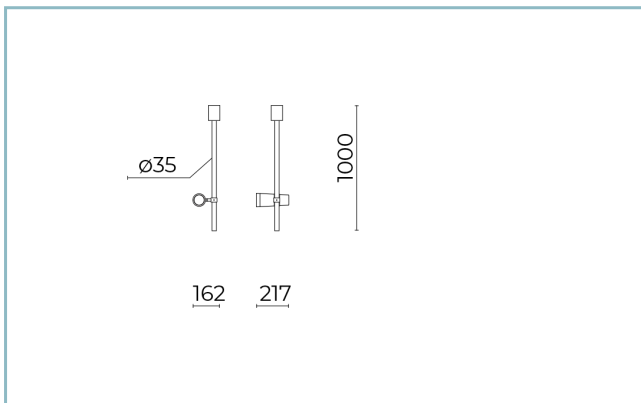




**General Features**

- Description: LED floodlight
- Insulation class: class III
- Rated voltage: 24Vdc
- Protection Grade: IP66
- Impact protection: IK07
- Power Factor: > 0.9
- Ambient temperature Ta: -30°C +50°C
- Weight: 4.7 kg
- Max exposed surface: 0.13 m<sup>2</sup>
- Lateral exposed surface: 0.13 m<sup>2</sup>
- Driver: remote (to be ordered separately)
- Marks and Certifications: CE



<b>Performance Data*</b>	4000 K - 10°	4000 K - 45°
LED Current:	24 mA	24 mA
Source flux:	970 lm	970 lm
Source power:	8.5 W	8.5 W
Source efficiency:	114 lm/W	114 lm/W
Device flux:	170 lm	310 lm
Device power:	8.5 W	8.5 W
Appliance efficiency:	20 lm/W	36 lm/W
Glare Index Category:	D6	D6

**Product Sheet**

13/02/2024

**Kono zoom Ceiling**

Size: 1000mm  
Options: DALI  
Color Temperature: 4000 K  
Type of optics: 10°+40°

**06KN2A430C7G8**

Colour: Sablé 100 Noir

**Optical System**

Source: LED

Color Temperature: 4000 K

Color Rendering Index (CRI):  $\geq 80$ Chromatic consistency (SDCM):  $\leq 3$ 

Type of optics: 10°+40°

Optical group life: &gt;60.000h @Ta25°C L90B10

Photobiological safety class: EXEMPT GROUP

**Normative References**

EN60598-1 / EN62471 / EN61547

**Installation and maintenance**

Installation: ceiling

Pole diameter:  $\varnothing$  76mmTilt: +359°,  $\pm 15^\circ$ , continuously-adjustable pointing and locking system**Flow adjustment**

Standard

DALI control

X

**Materials**

Body: die-cast aluminium alloy UNI EN AB 47100 (copper content &lt; 1%)

Seals: expanded anti-age silicone foam

Screws: stainless steel AISI 304

Finish: phospho-chromatation treated and polyester powder-coated in 16 phases to increase weather resistance

**Colors**

■ Sablé 100 Noir

Code: **06KN2A430C7G8**

**Product Sheet**

13/02/2024

**Kono zoom Ceiling**

Size: 1000mm

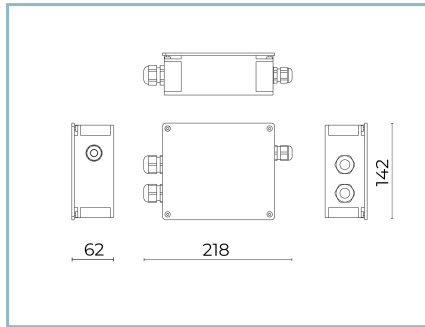
Options: DALI

Color Temperature: 4000 K

Type of optics: 10°+40°

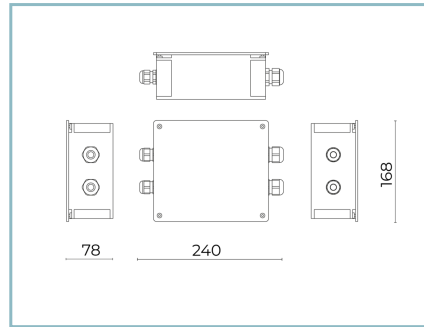
**06KN2A430C7G8**

Colour: Sablé 100 Noir

**Complements**

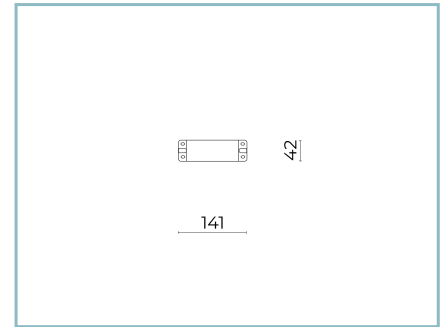
06KI905X0

D9 Kit connessione



06KI906X0

D10 Kit connessione



06KI908X0

D12 Kit Driver

**NOTES****\*Performance data**

The values indicated in this data sheet are nominal values with a tolerance of +/-7%.

Source flux and source efficiency data refer to the LED module without optics; in case you are interested in the performance of the LED module complete with optical system, you must multiply the data reported by the factor 0.9.

**General Data**

The characteristics of the product listed may be subject to change and must be confirmed when ordering.

In order to promote constant updating of its products, Cariboni Group reserves the right to make changes without prior notice.