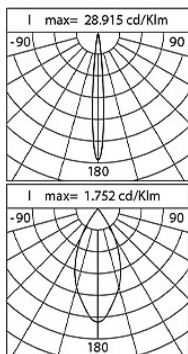
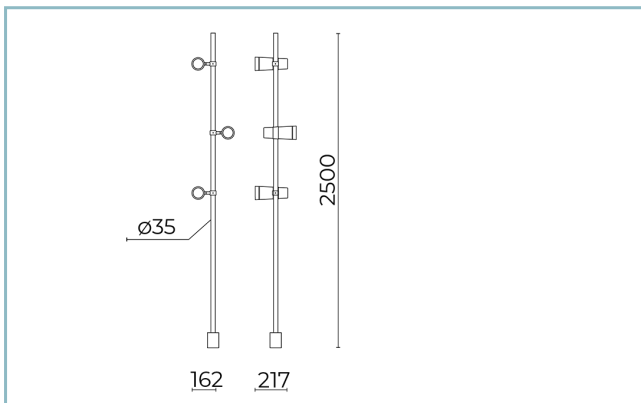


General Features

- Description: LED floodlight
- Insulation class: class III
- Rated voltage: 24Vdc
- Protection Grade: IP66
- Impact protection: IK07
- Power Factor: > 0.9
- Ambient temperature Ta: -30°C +50°C
- Weight: 9.2 kg
- Max exposed surface: 0.15 m²
- Lateral exposed surface: 0.15 m²
- Driver: remote (to be ordered separately)
- Marks and Certifications: CE



Performance Data*	TW_2200	TW_4000	TW_2200	TW_4000
	K - 10°	K - 10°	K - 45°	K - 45°
LED Current:	500 mA	500 mA	500 mA	500 mA
Source flux:	340 lm	385 lm	340 lm	385 lm
Source power:	2.75 W	2.75 W	2.75 W	2.75 W
Source efficiency:	124 lm/W	140 lm/W	124 lm/W	140 lm/W
Device flux:	65 lm	75 lm	125 lm	140 lm
Device power:	6 W	6 W	6 W	6 W
Appliance efficiency:	11 lm/W	13 lm/W	21 lm/W	23 lm/W
Glare Index Category:	D6	D6	D6	D6

Product Sheet

13/02/2024

Kono zoom Bollard

Size: 2500mm

Options: DALI

Color Temperature: TW 2200K - 4000 K

Type of optics: 10°+40°

06KN3B2506C7G8HS6

Colour: Sablé 100 Noir

Optical System

Source: LED

Color Temperature: TW 2200K - 4000 K

Color Rendering Index (CRI): ≥ 80 Chromatic consistency (SDCM): ≤ 3

Type of optics: 10°+40°

Optical group life: >60.000h @Ta25°C L90B10

Photobiological safety class: EXEMPT GROUP

Normative References

EN60598-1 / EN62471 / EN61547

Installation and maintenance

Installation: ground

Pole diameter: \varnothing 76mmTilt: +359°, $\pm 15^\circ$, continuously-adjustable pointing and locking system**Flow adjustment**

Standard

DALI control

X

Materials

Body: die-cast aluminium alloy UNI EN AB 47100 (copper content < 1%)

Seals: expanded anti-age silicone foam

Screws: stainless steel AISI 304

Finish: phospho-chromatation treated and polyester powder-coated in 16 phases to increase weather resistance

Colors

■ Sablé 100 Noir

Code:

06KN3B2506C7G8HS6

Product Sheet

13/02/2024

Kono zoom Bollard

Size: 2500mm

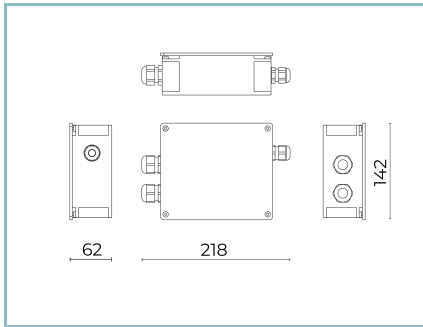
Options: DALI

Color Temperature: TW 2200K - 4000 K

Type of optics: 10°+40°

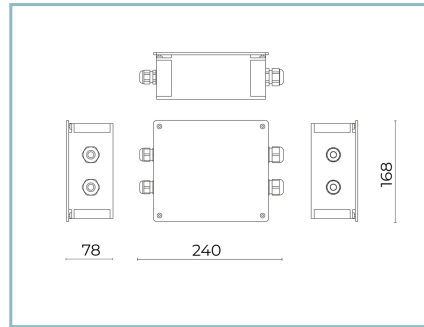
06KN3B2506C7G8HS6

Colour: Sablé 100 Noir

Complements

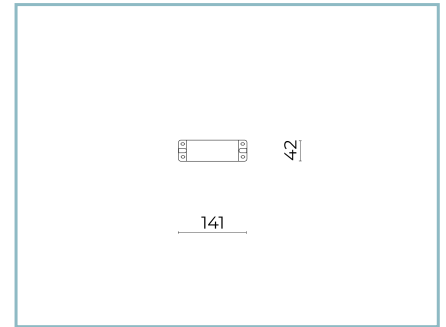
06KI905X0

D9 Kit connessione



06KI906X0

D10 Kit connessione



06KI908X0

D12 Kit Driver

NOTES***Performance data**

The values indicated in this data sheet are nominal values with a tolerance of +/-7%.

Source flux and source efficiency data refer to the LED module without optics; in case you are interested in the performance of the LED module complete with optical system, you must multiply the data reported by the factor 0.9.

General Data

The characteristics of the product listed may be subject to change and must be confirmed when ordering.

In order to promote constant updating of its products, Cariboni Group reserves the right to make changes without prior notice.