

### General Features

|   |   |
|---|---|
| Description:                              | LED luminaire   |
| Insulation class:                         | classe II   |
| Rated voltage:                            | 220-240 V 50/60 Hz  |
| Protection Grade:                         | IP66  |
| Impact protection:                        | IK09  |
| Surge protection device:                  | integrated 10kV-10kA, integrated device complete with thermal fuse for disconnection at the end of life; impulse withstand CL II 10kV CM/DM |
| Power Factor:                             | > 0.90  |
| Ambient temperature Ta:                   | -30°C +50°C   |
| Weight:                                   | 8.00 kg   |
| Max exposed surface:                      | 0,16 m <sup>2</sup>   |
| Lateral exposed surface:                  | 0,068 m <sup>2</sup>  |
| Common mode surge protection:             | 10 kV   |
| Overtoltage protection differential mode: | 10 kV   |
| Driver:                                   | included  |
| Marks and Certifications:                 | ENEC / CE   |

### Performance Data\*

|                       |          |
|-----------------------|----------|
| LED Current:          | 350 mA   |
| Source flux:          | 2175 lm  |
| Source power:         | 11,5 W   |
| Source efficiency:    | 189 lm/W |
| Device flux:          | 1610 lm  |
| Device power:         | 13,5 W   |
| Appliance efficiency: | 119 lm/W |
| Glare Index Category: | D5       |

### Optical System

|   |
|---|
| Source: LED R1  |
| Color Temperature: 3000 K   |
| Color Rendering Index (CRI): $\geq 70$  |
| Chromatic consistency (SDCM): $\leq 4$  |
| Type of optics: ST-01 Narrow street   |
| Optical group life: >160.000h @700mA @Ta25°C TM21 L80B20 >160.000h @700mA @Ta25°C TM21 L80B10 |
| Photobiological safety class: EXEMPT GROUP  |
| ULOR: 0%  |
| DLOR: 100%  |
| Light intensity category: G*3   |
| BUG rating: B1-U0-G0  |

### Normative References

EN60598-1 / EN60598-2-3 / EN62471 / EN61547

### Installation and maintenance

|  |
|--|
| Installation: post top, pole side  |
| Pole diameter: (post top) $\varnothing$ 60 mm (76 - 102 mm with accessories), (pole side) $\varnothing$ 102 mm |
| Fixing: 3 x AISI 304 stainless steel securing bolts  |
| $\varnothing$ power cable: 8 $\div$ 13 mm  |
| Cable gland: M20   |
| Replaceable wiring plate: removable plate  |
| Replaceable optical unit: LED disc replacement   |
| Power supply compartment: independent from the optical system  |

### Flow adjustment

|                                 | On request |
|---------------------------------|------------|
| Virtual Midnight Teaching       | X          |
| Constant flow output (CLO)      | X          |
| Adjusting 1-10V                 | X          |
| DALI control                    | X          |
| Mains voltage variation         | X          |
| Power line telemanagement (PLC) | X          |
| Wireless remote management      | X          |

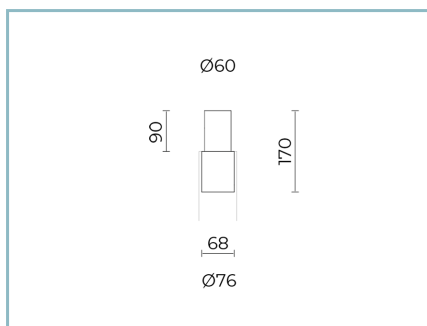
### Materials

|  |
|--|
| Body: die-cast aluminium alloy UNI EN AB 47100 (copper content < 1%)   |
| Screen: tempered flat glass 5 mm   |
| Lenses: high-transparency PMMA   |
| Fixing system: die-cast aluminium alloy UNI EN AB 47100 (copper content < 1%)                                |
| Seals: expanded anti-age silicone foam   |
| Screws: stainless steel AISI 304   |
| Wiring plate: self-extinguishable technopolymer V0   |
| Finish: phospho-chromatation treated and polyester powder-coated in 16 phases to increase weather resistance |

### Colors

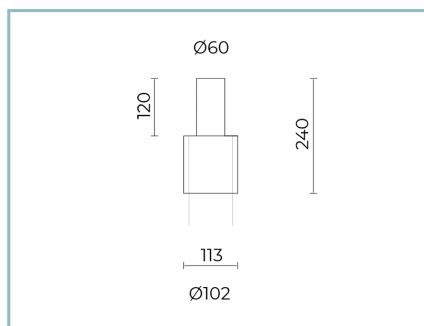
|                  |                              |
|------------------|------------------------------|
| ■ Sablé 100 Noir | Code: <b>01KA5B23930CHM4</b> |
|------------------|------------------------------|

## Complements



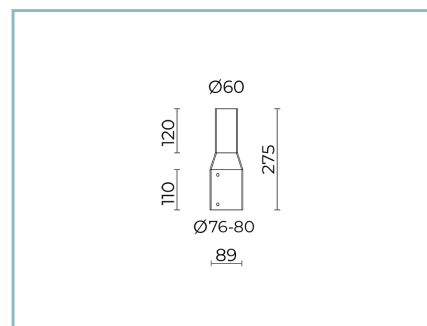
01AY904C0

L7 Reduction  $\varnothing$  60-68 mm for poles  $\varnothing$  76 mm. Colour: Sablé 100 Noir.



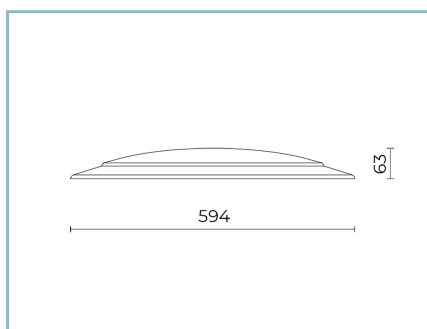
01SC913C0

Reduction fastening part  $\varnothing$  60 mm H. 120 mm for poles  $\varnothing$  102 mm. Colour: Sablé 100 Noir.



01AK980C0

B200 Pole adapter  $\varnothing$  76-80 mm top  $\varnothing$  60 mm. Colour: Sablé 100 Noir.



01KA901C0

Cover for KALOS with 4 brackets on post top or on arm for upwards installation. Colour: Sablé 100 Noir.

## NOTES

### \*Performance data

The values indicated in this data sheet are nominal values with a tolerance of +/-7%.

Source flux and source efficiency data refer to the LED module without optics; in case you are interested in the performance of the LED module complete with optical system, you must multiply the data reported by the factor 0.9.

### General Data

The characteristics of the product listed may be subject to change and must be confirmed when ordering.

In order to promote constant updating of its products, Cariboni Group reserves the right to make changes without prior notice.