

General Features

Description: ceiling, surface or recess-mounted indirect light luminaire

Insulation class: class I

Rated voltage: 220-240 V 50/60 Hz

Protection Grade: IP66

Impact protection: IK08

Power Factor: > 0.90

Ambient temperature Ta: -30°C +50°C

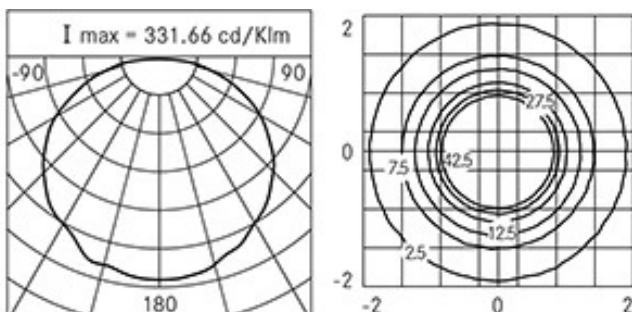
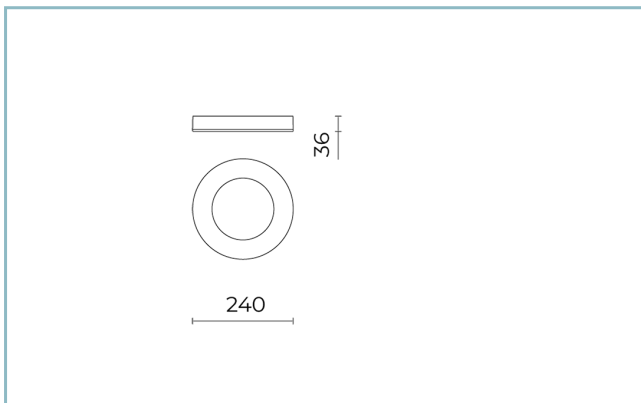
Weight: 1.30 kg

Max exposed surface: 0,045 m²

Lateral exposed surface: 0,0085 m²

Driver: included

Marks and Certifications: CE



Performance Data*

Source flux:	1000 lm
Source power:	12 W
Source efficiency:	83 lm/W
Device flux:	472 lm
Device power:	13 W
Appliance efficiency:	36 lm/W
Glare Index Category:	D6

Optical System

Source: LED

Color Temperature: 4000 K

Color Rendering Index (CRI): ≥ 80

Chromatic consistency (SDCM): ≤ 3

Type of optics: rotosymmetrical wide beam

Optical group life: $>60.000\text{h}$ @Ta25°C L80B10

Photobiological safety class: EXEMPT GROUP

Normative References

EN60598-1 / EN60598-2-1 / EN60598-2-2 / EN62471 / EN61547

Installation and maintenance

Installation: ceiling / wall

Ø power cable: ≤ 9 mm

Cable gland: DG-MS 16

Materials

Body: die-cast aluminium alloy UNI EN AB 47100 (copper content $< 1\%$)

Lenses: polycarbonate

Seals: anti-age silicone

Finish: phospho-chromatation treated and polyester powder-coated in 16 phases to increase weather resistance

Colors

■ Sablé 100 Noir

Code: **06EK1D6300C**

Complements



06EK900J

EKLEIPSIS SMALL recessed kit
for plasterboard ceilings



06EK901J

EKLEIPSIS MEDIUM recessed kit
for plasterboard ceilings



06EK902J

EKLEIPSIS LARGE recessed kit
for plasterboard ceilings

NOTES

*Performance data

The values indicated in this data sheet are nominal values with a tolerance of +/-7%.

Source flux and source efficiency data refer to the LED module without optics; in case you are interested in the performance of the LED module complete with optical system, you must multiply the data reported by the factor 0.9.

General Data

The characteristics of the product listed may be subject to change and must be confirmed when ordering.

In order to promote constant updating of its products, Cariboni Group reserves the right to make changes without prior notice.