



### General Features

Description: Bollard

Insulation class: class II

Rated voltage: 220-240 V 50/60 Hz

Protection Grade: IP66

Impact protection: IK10

Power Factor: > 0.90

Ambient temperature Ta: -30°C +50°C

Weight: max 7.50 kg

Max exposed surface: 0,045 m<sup>2</sup>

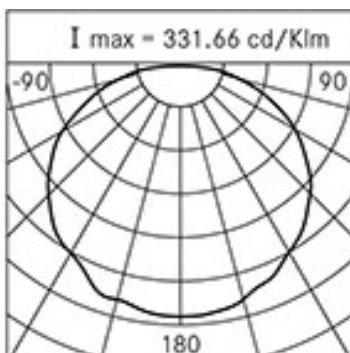
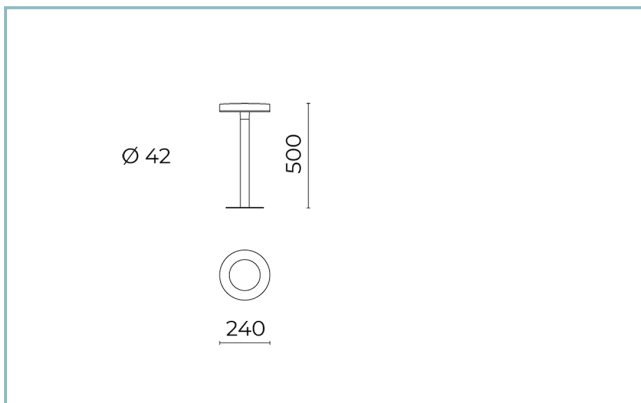
Lateral exposed surface: 0,0085 m<sup>2</sup>

Common mode surge protection: 6 kV

Overvoltage protection differential mode: 10 kV

Driver: included

Marks and Certifications: CE



### Performance Data\*

Source flux:	1000 lm
Source power:	12 W
Source efficiency:	83 lm/W
Device flux:	472 lm
Device power:	13 W
Appliance efficiency:	36 lm/W
Glare Index Category:	D6

---

### Optical System

Source: LED

Color Temperature: 3000 K

Color Rendering Index (CRI):  $\geq 80$

Chromatic consistency (SDCM):  $\leq 3$

Type of optics: rotosymmetrical wide beam

Optical group life: >60.000h @Ta25°C L80B10

Photobiological safety class: EXEMPT GROUP

### Normative References

EN60598-1 / EN60598-2-1 / EN62471 / EN61547

### Installation and maintenance

Installation: burying (H.A.G. 500 mm)

Fixing: 3 x M6X10 bolts

Ø power cable: 8 ÷ 10 mm

Cable Gland: PG11

### Materials

Body: die-cast aluminium alloy UNI EN AB 47100 (copper content < 1%); stem pole made of painted galvanised steel

Lenses: polycarbonate

Seals: anti-age silicone

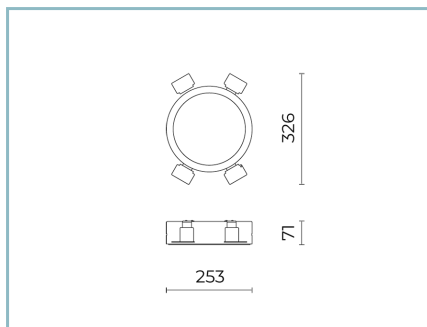
Finish: phospho-chromatation treated and polyester powder-coated in 16 phases to increase weather resistance

### Colors

■ Sablé 100 Noir

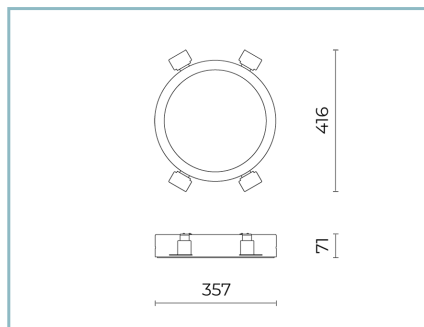
Code: **06EK5D6390C**

## Complements



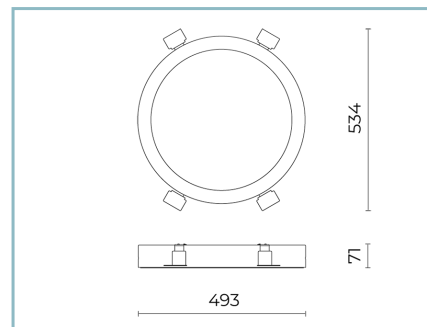
06EK900J

EKLEIPSIS SMALL recessed kit  
for plasterboard ceilings



06EK901J

EKLEIPSIS MEDIUM recessed kit  
for plasterboard ceilings



06EK902J

EKLEIPSIS LARGE recessed kit  
for plasterboard ceilings

## NOTES

### \*Performance data

The values indicated in this data sheet are nominal values with a tolerance of +/-7%.

Source flux and source efficiency data refer to the LED module without optics; in case you are interested in the performance of the LED module complete with optical system, you must multiply the data reported by the factor 0.9.

### General Data

The characteristics of the product listed may be subject to change and must be confirmed when ordering.

In order to promote constant updating of its products, Cariboni Group reserves the right to make changes without prior notice.