

General Features

Description: recessed LED product

Insulation class: class III

Rated voltage: 24Vdc

Protection Grade: IP67

Impact protection: IK09

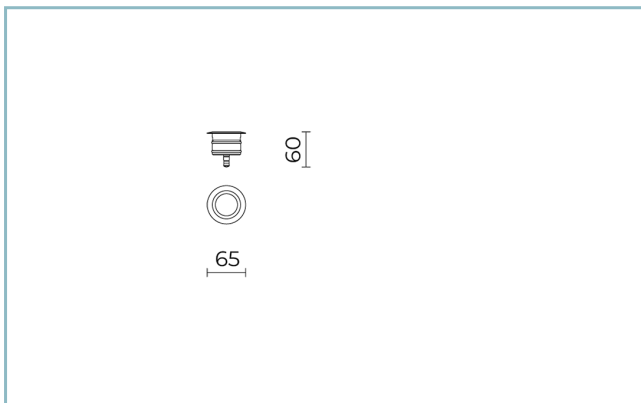
Power Factor: > 0.9

Ambient temperature Ta: -30°C +50°C

Weight: 0,4 kg

Driver: to be ordered separately

Marks and Certifications: CE



H (m)	Ø (m)	Em (lux)
5	6.6	3
4	5.2	5
3	4	9
2	2.6	21
1	1.3	84

Performance Data*

Source flow:	375 lm
Source power:	3.2 W
Source efficiency:	117 lm/W
Device flow:	295 lm
Device power:	3.2 W
Appliance efficiency:	92 lm/W

Optical System

Source: LED

Color Temperature: 4000 K

Color Rendering Index (CRI): ≥ 80

Chromatic consistency (SDCM): ≤ 3

Type of optics: U-D 90° Diffused beam

Optical group life: $>50.000\text{h}$ @Ta25°C L80B10

Photobiological safety class: EXEMPT GROUP

Normative References

EN60598-1 / EN60598-2-1 / EN62471 / EN61547

Installation and maintenance

Installation: ceiling, walk over, wall-recessed

Fixing: walk over recessed housing

Wiring: pre-wired product with M8x1 screw connector;
cable length of 1 m

Flow adjustment

On request

DALI control

X

Materials

Body: micro-shot peened stainless steel AISI 316L with
sanded finish

Screen: tempered flat glass

Lenses: high-transparency PMMA

Seals: anti-age silicone

Screws: stainless steel AISI 304

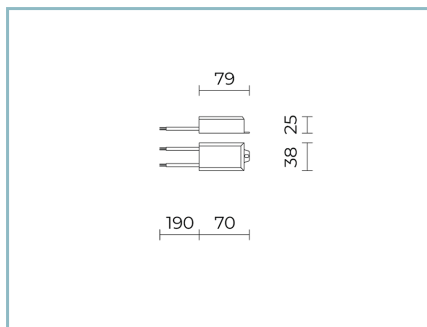
Finish: AISI 316L stainless steel frame with sandblasted and
shot peened finish

Colors

■ sandblasted stainless
steel AISI 316L

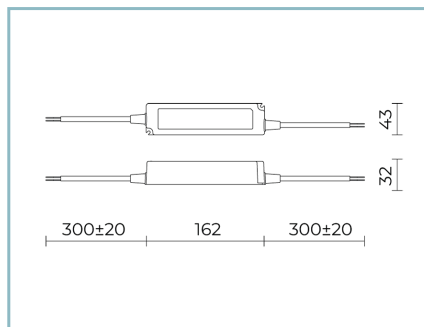
Code: **06CH3A130A7XS**

Complements



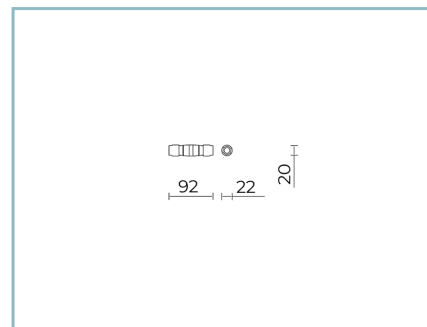
06CH903X0

B147 Driver
10W-24V IP67



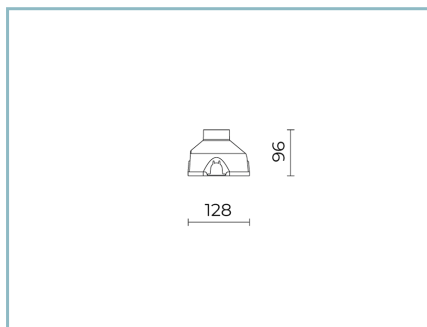
06CH904X0

B148 Driver
60W-24V IP67



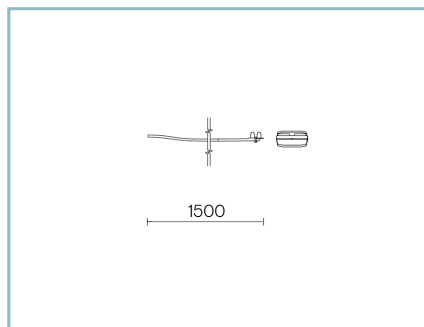
06KS918C0

B137 2 - way connector IP68



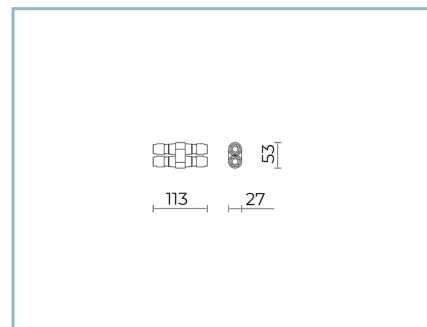
06CH901B0

B130 Walk over and wall recessed housing made of polypropylene. Colour: black RAL9005.



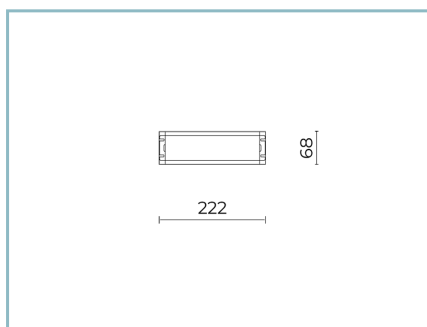
06CH906X0

B198 Kit in/out cable 1,5 m 24 V with junction box



06KS909C0

B89 Connector 4 way IP68



06LL914AB0

DALI driver
150W-24V IP67

Product Sheet

Rev. 17/01/2023

Chara Walk Over Recessed

Color Temperature: 4000 K

Type of optics: U-D 90° Diffused beam

06CH3A130A7XSColour: sandblasted
stainless steel AISI
316L

NOTES***Performance data**

The values indicated in this data sheet are nominal values with a tolerance of +/-7%.

Source flux and source efficiency data refer to the LED module without optics; in case you are interested in the performance of the LED module complete with optical system, you must multiply the data reported by the factor 0.9.

General Data

The characteristics of the product listed may be subject to change and must be confirmed when ordering.

In order to promote constant updating of its products, Cariboni Group reserves the right to make changes without prior notice.